

# Customization Workbook



For the *jett.* product family



**Two Technologies, Inc.<sup>®</sup>**

Hand Held Computers • Your Way • Since 1987

Tel 215.441.5305 / Fax 215.441.0423 / [real.rugged@2T.com](mailto:real.rugged@2T.com) / [www.2T.com](http://www.2T.com)

# Getting Started

Thank you for downloading the customization booklet for the JETT®•ce, JETT®•RFID, JETT®•XL® and JETT®•eye™. Our objective is to supply you with the highest quality hand held computer products available—with all the custom features required for your unique application.

This workbook provides easy-to-use templates to customize your JETT for your application. To get started, just fill in your name and contact information and let the customization begin! If you have questions, just give us a call at 215.441.5305 and ask for Customer Service. No question is too simple when it comes to creating your masterpiece.

If you will not be providing camera-ready artwork, please sketch in the desired graphics and return the appropriate sheets indicating the particular items to be customized. Two Technologies uses the Pantone Matching System® Colors (uncoated colors only) to match all colors. Pantone® color guides are available for viewing at virtually any art supply store, or our customer service team can help you in selecting colors that best match your product or corporate colors.

## The following features are customizable:

Logo Tag	Bumper Color
LED Logo Tag for Elastomeric Keypad	Serial Tag
Display Bezel	CE Label
Elastomeric Keypad	RFID Label
Elastomeric Keypad Bezel	Cables
Membrane Overlay	LED Color
Case Color	

NOTE: Some customizations are not available on all JETT products.

We look forward to the opportunity to work with you on this project. Rest assured, we will provide you with a hand held computer you are proud to put your name on.

---

Name: \_\_\_\_\_

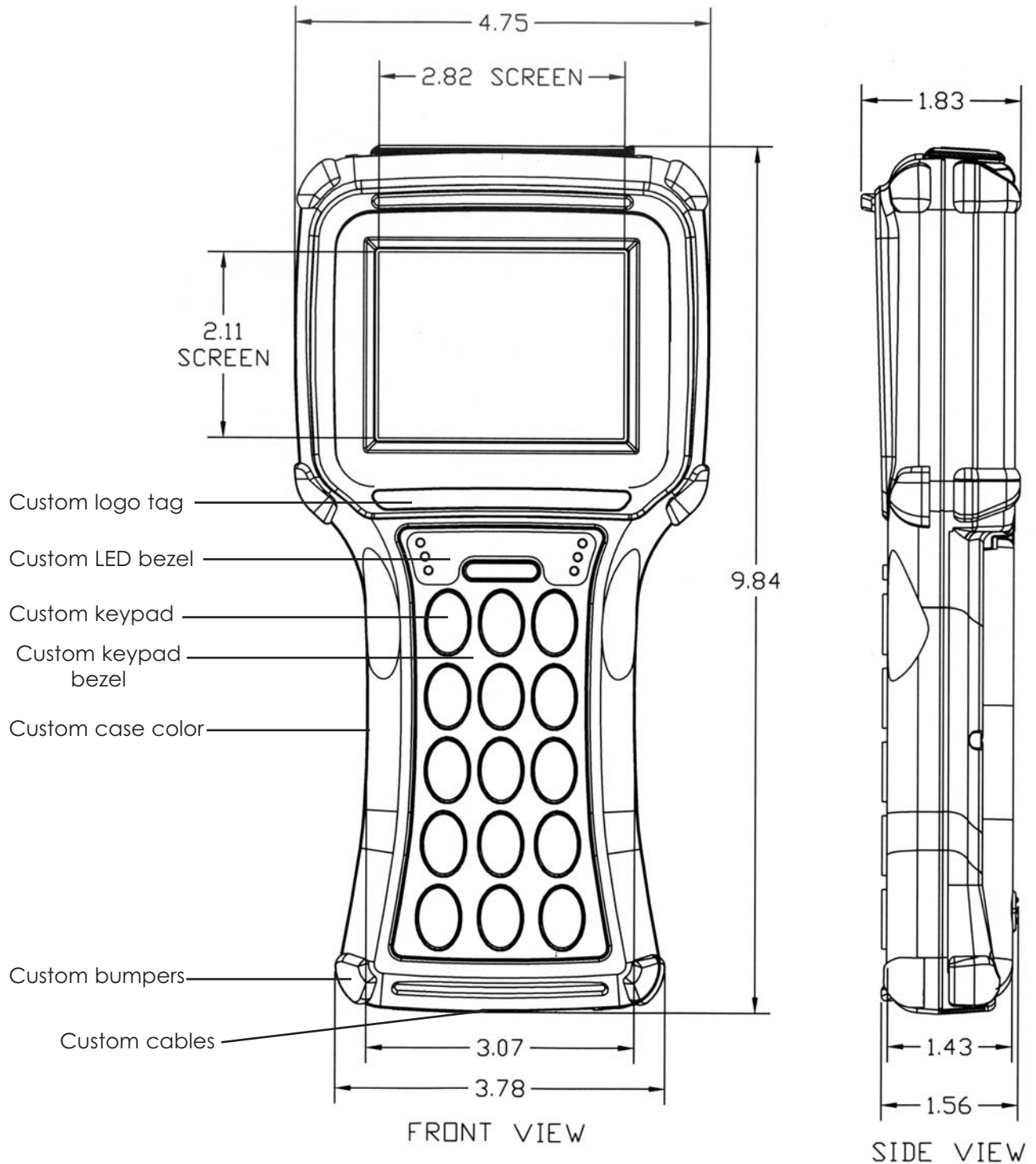
Title: \_\_\_\_\_

Company: \_\_\_\_\_

Telephone Number: \_\_\_\_\_

E-Mail Address: \_\_\_\_\_

# Case Dimensions



Side View

- Not Drawn to Scale
- All Dimensions are in Inches
- Dimensions vary on JETT•RFID+ and JETT•eye

# Layout Sample

Draw in your logo and indicate the PANTONE® color(s).



Logo Tag

NOTE: Please provide us with camera-ready artwork if your corporate or product logo is required.

**NOTE:** You don't need to be the next Leonardo da Vinci. Just pick up a pen or a pencil and jot down your ideas. When you're happy with your layout, just fax it over. We have graphic designers who will turn your sketches into a masterpiece!

**EXAMPLE:**

Pantone Color(s):

1. *POWER* = PMS 485 on White
2. *White* & PMS 307

Font & Point Size:

*Myriad 34 Pt.*

**EXAMPLE:**

Pantone Color(s):

1. *Text* = PMS 485
2. *BKgrd* = White

Font & Point Size:

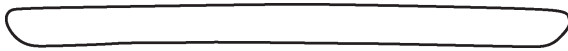
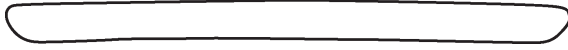
*Myriad 12 Pt.*

Draw in your keypad and indicate the PANTONE® color(s).



# Logo Tag Layouts

Standard for:  
JETT•ce  
JETT•RFID+

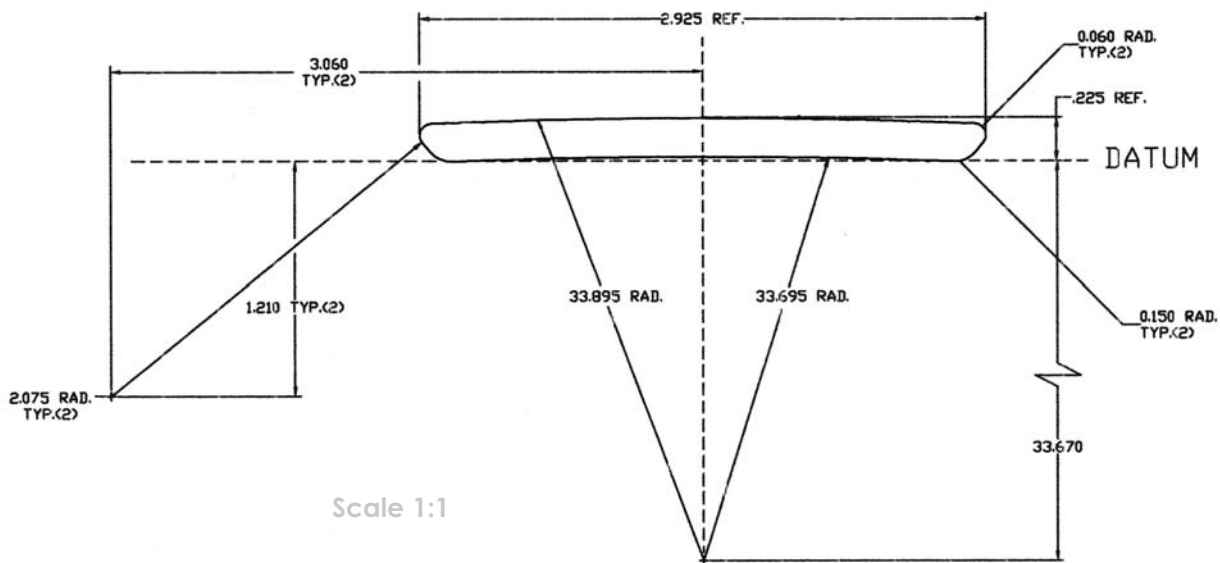


## Pantone Color(s):

1. \_\_\_\_\_
2. \_\_\_\_\_
3. \_\_\_\_\_
4. \_\_\_\_\_
5. \_\_\_\_\_
6. \_\_\_\_\_

## Font & Point Size:

\_\_\_\_\_



# LED Logo Tag for Elastomeric Keypad

NOTE: This LED Logo Tag is for use with elastomeric keypads only.

Available for:  
 JETT•ce  
 JETT•RFID+  
 JETT•XL  
 JETT•eye



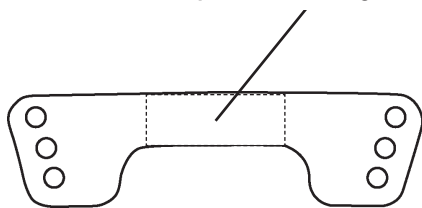
## Logo Tag Color:

1. Black (standard)
2. Gray (standard)
3. Other (custom)

## Optional Logo Area Pantone Color(s):

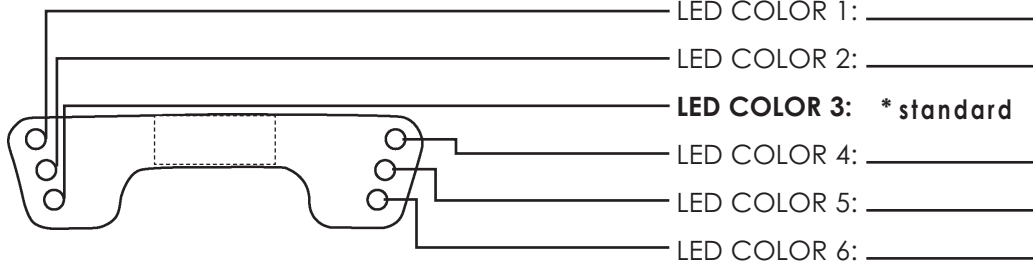
1. \_\_\_\_\_
2. \_\_\_\_\_
3. \_\_\_\_\_
4. \_\_\_\_\_
5. \_\_\_\_\_
6. \_\_\_\_\_

Optional Logo Area



## Font & Point Size:

\_\_\_\_\_



- LED COLOR 1: \_\_\_\_\_
- LED COLOR 2: \_\_\_\_\_
- LED COLOR 3: **\* standard**
- LED COLOR 4: \_\_\_\_\_
- LED COLOR 5: \_\_\_\_\_
- LED COLOR 6: \_\_\_\_\_

## NOTES:

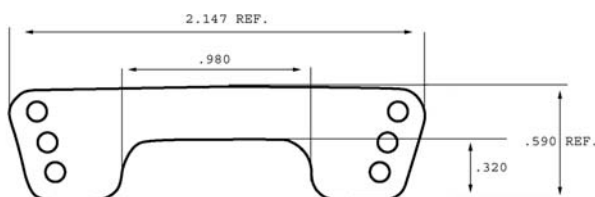
- Blue and Yellow (standard)
- Red and Green (custom option)
- Custom LED colors:  
Contact your sales rep.

\* Bi-color LED (green and red) is standard.  
 This LED functions as a Low Battery/Charge indicator. Functionality cannot be changed however, labeling is customizable.

- LED LABEL 1: \_\_\_\_\_
- LED LABEL 2: \_\_\_\_\_
- LED LABEL 3: \_\_\_\_\_
- LED LABEL 4: \_\_\_\_\_
- LED LABEL 5: \_\_\_\_\_
- LED LABEL 6: \_\_\_\_\_

## Font & Point Size:

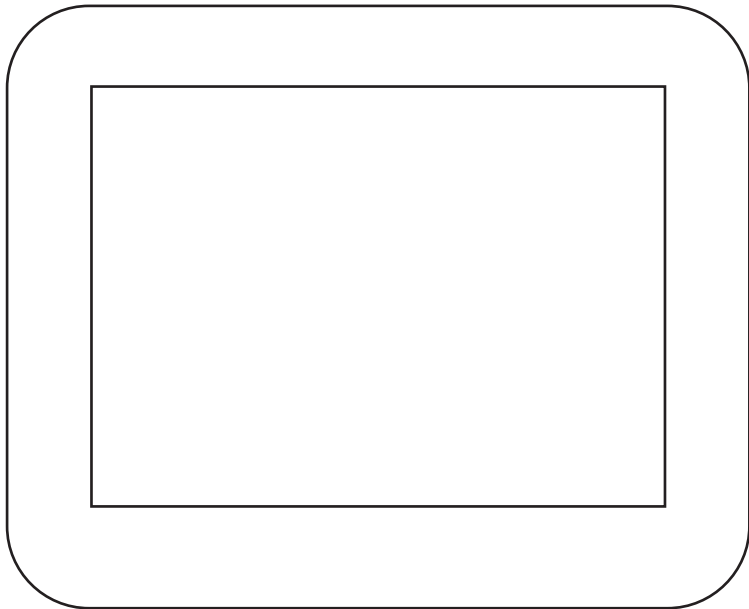
\_\_\_\_\_



Scale 1:1

# Display Bezel

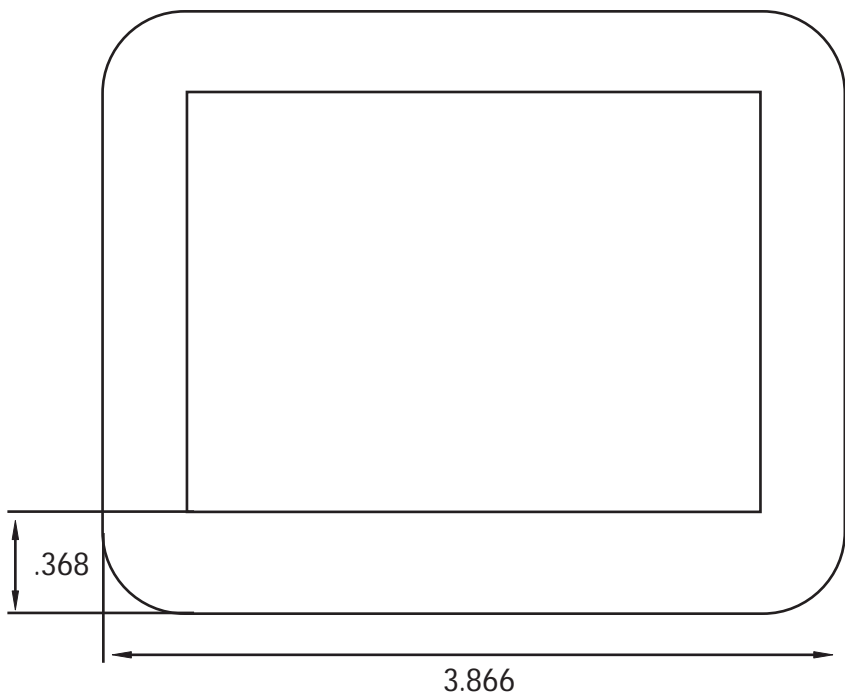
Available for:  
JETT•ce  
JETT•RFID+  
JETT•XL  
JETT•eye



## Display Bezel

### Color(s):

1. Black (standard)
2. Gray (standard)
3. Other  
(custom)



### Logo area

### Pantone Color(s):

1. \_\_\_\_\_
2. \_\_\_\_\_
3. \_\_\_\_\_
4. \_\_\_\_\_
5. \_\_\_\_\_
6. \_\_\_\_\_

### Font & Point Size:

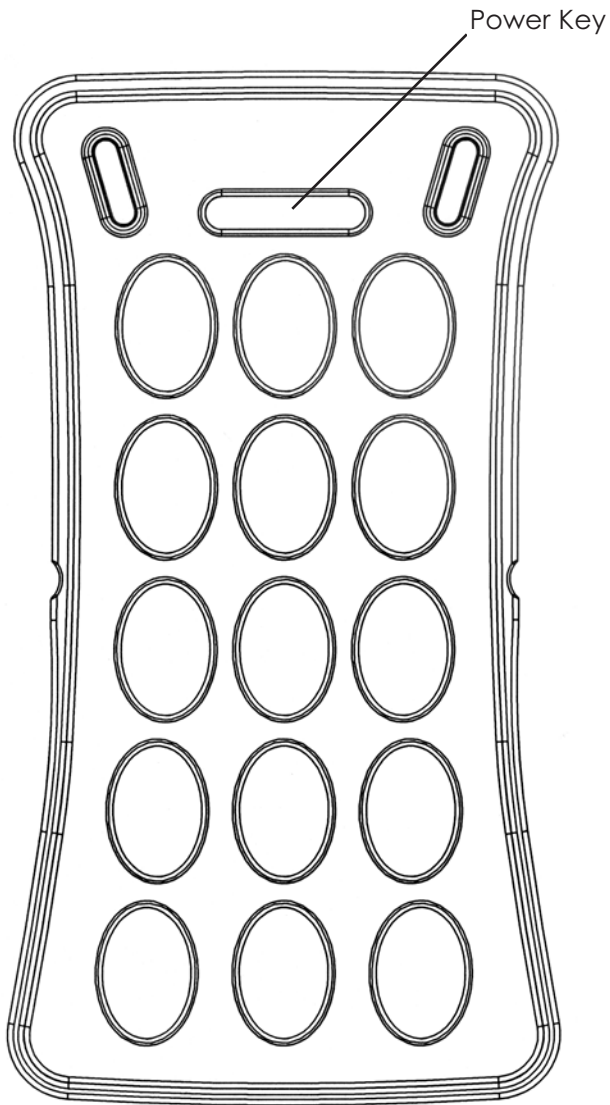
\_\_\_\_\_

NOTE: Logo tag insert is also available.  
Contact your sales representative for  
more information.

Scale 1:1

# 15-Key Elastomeric Keypad & Bezel

Available for:  
 JETT•ce  
 JETT•RFID+  
 JETT•XL  
 JETT•eye



Scale 1:1

## Keypad

Pantone Color(s):

1. \_\_\_\_\_
2. \_\_\_\_\_
3. \_\_\_\_\_
4. \_\_\_\_\_
5. \_\_\_\_\_
6. \_\_\_\_\_

Font & Point Size:

\_\_\_\_\_

## Keypad Bezel

Color(s):

1. Black (standard)
2. Gray (standard)
3. Other  
(custom)

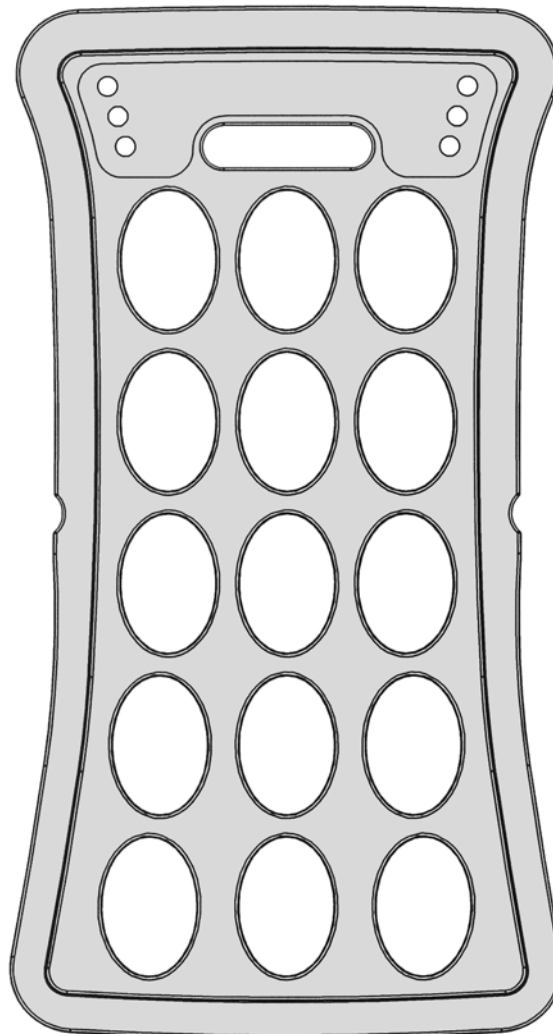
## Custom Bezel

Pantone Color(s):

1. \_\_\_\_\_
2. \_\_\_\_\_
3. \_\_\_\_\_
4. \_\_\_\_\_
5. \_\_\_\_\_
6. \_\_\_\_\_

Font & Point Size:

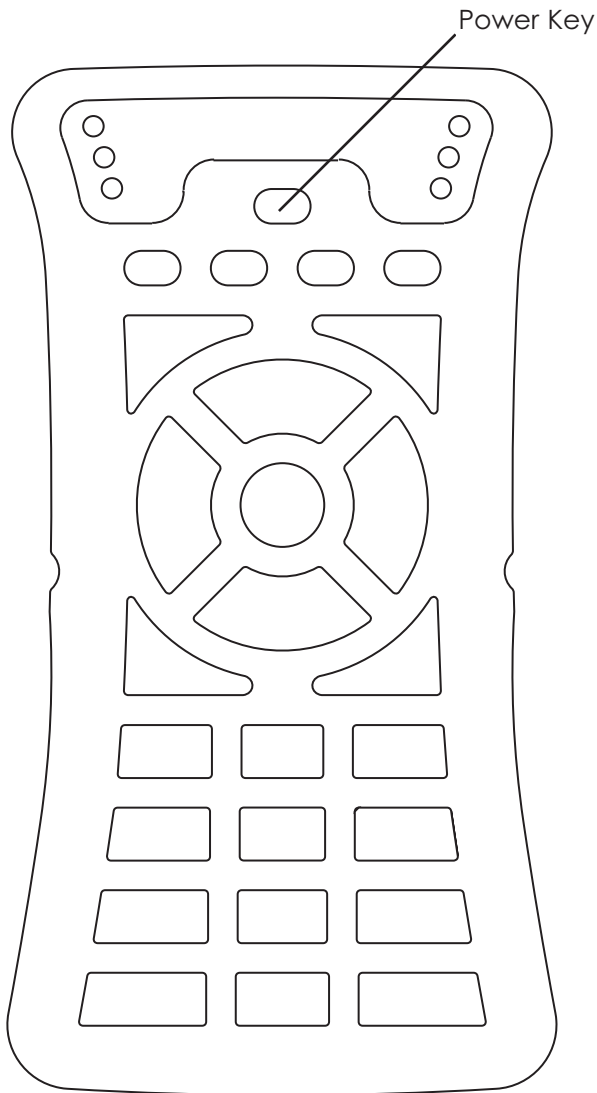
\_\_\_\_\_





# 26-Key Elastomeric Keypad & Bezel

Available for:  
 JETT•ce  
 JETT•RFID+  
 JETT•XL  
 JETT•eye



Scale 1:1

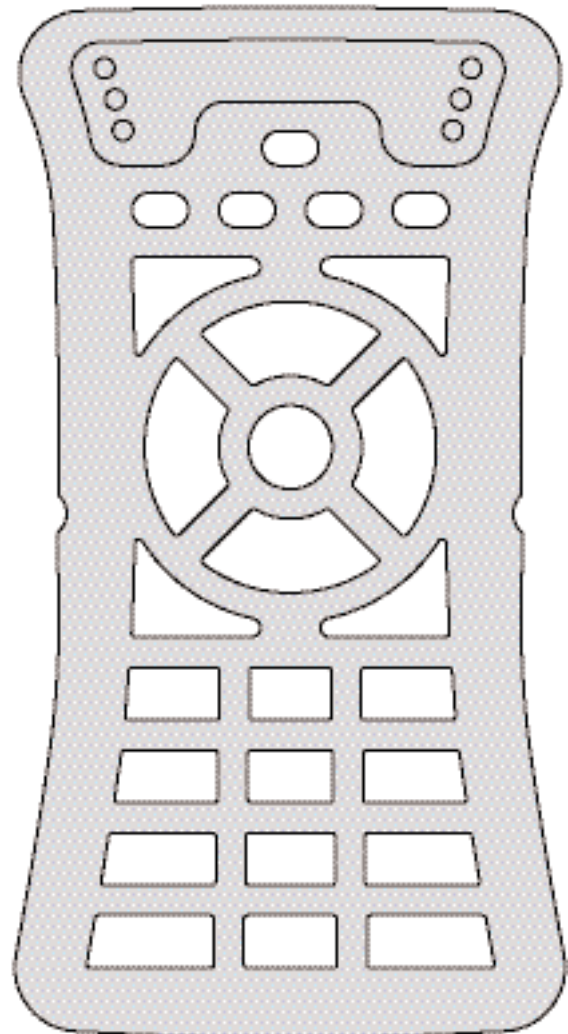
## Keypad

**Pantone Color(s):**

1. \_\_\_\_\_
2. \_\_\_\_\_
3. \_\_\_\_\_
4. \_\_\_\_\_
5. \_\_\_\_\_
6. \_\_\_\_\_

**Font & Point Size:**

\_\_\_\_\_



## Keypad Bezel

**Color(s):**

1. Black (standard)
2. Gray (standard)
3. Other  
(custom)

## Custom Bezel

**Pantone Color(s):**

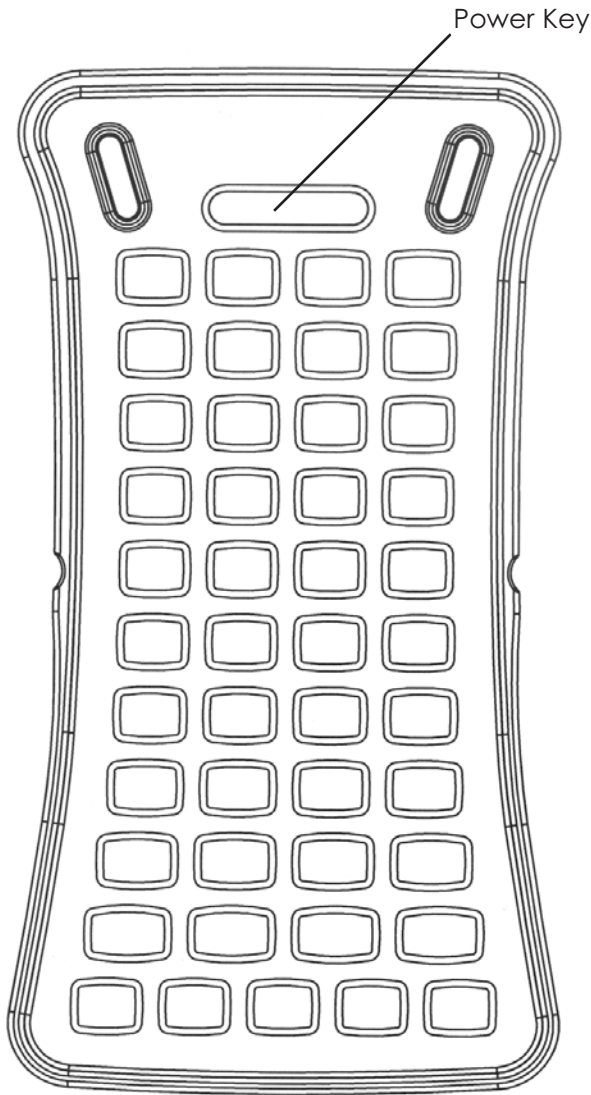
1. \_\_\_\_\_
2. \_\_\_\_\_
3. \_\_\_\_\_
4. \_\_\_\_\_
5. \_\_\_\_\_
6. \_\_\_\_\_

**Font & Point Size:**

\_\_\_\_\_

# 45-Key Elastomeric Keypad & Bezel

Available for:  
 JETT•ce  
 JETT•RFID+  
 JETT•XL  
 JETT•eye



Scale 1:1

## Keypad

Pantone Color(s):

1. \_\_\_\_\_
2. \_\_\_\_\_
3. \_\_\_\_\_
4. \_\_\_\_\_
5. \_\_\_\_\_
6. \_\_\_\_\_

Font & Point Size:

\_\_\_\_\_

## Keypad Bezel

Color(s):

1. Black (standard)
2. Gray (standard)
3. Other  
(custom)

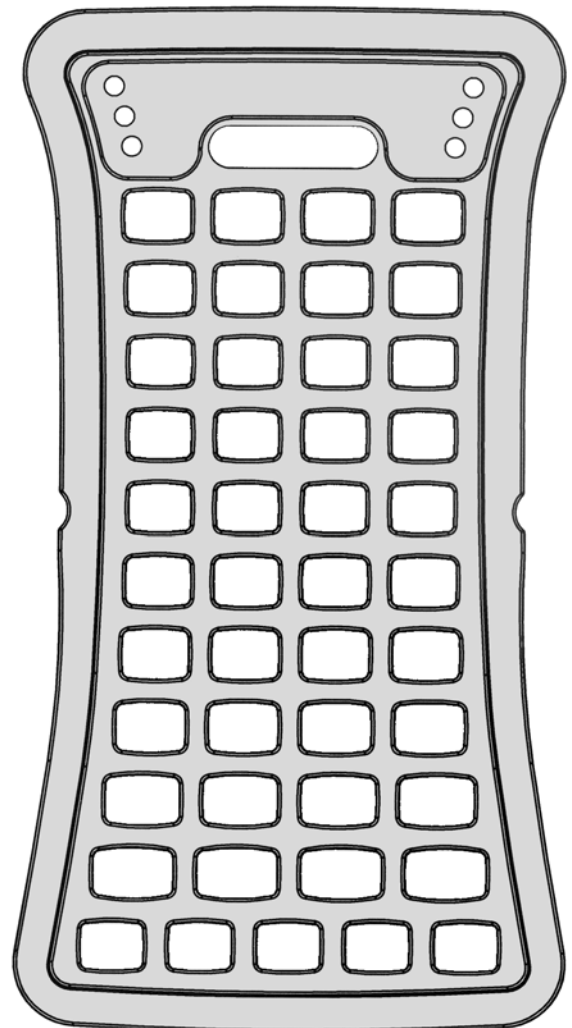
## Custom Bezel

Pantone Color(s):

1. \_\_\_\_\_
2. \_\_\_\_\_
3. \_\_\_\_\_
4. \_\_\_\_\_
5. \_\_\_\_\_
6. \_\_\_\_\_

Font & Point Size:

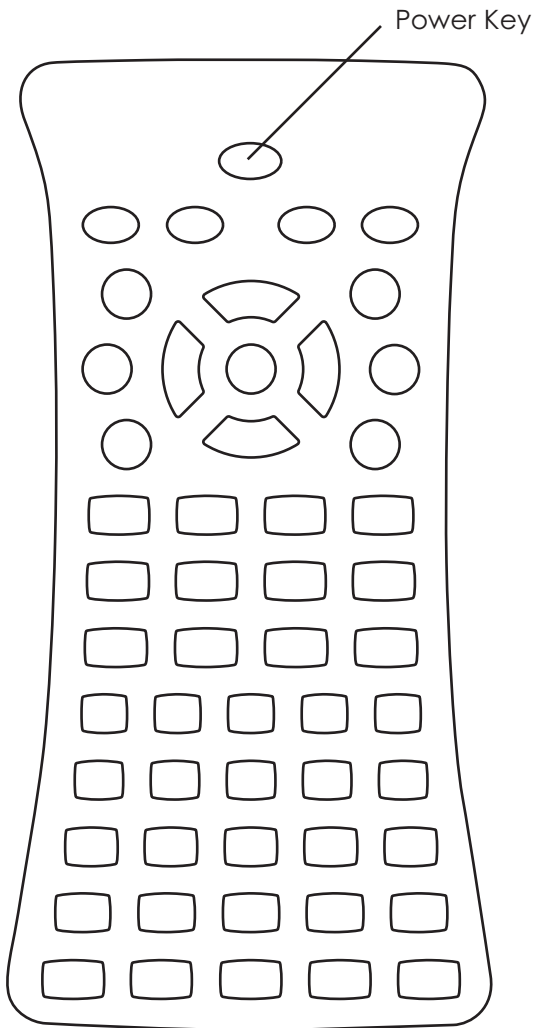
\_\_\_\_\_



# 26-Key Elastomeric Keypad & Bezel

Standard for:  
JETT•eye

Available for:  
JETT•ce  
JETT•RFID+  
JETT•XL



Scale 1:1

## Keypad

**Pantone Color(s):**

1. \_\_\_\_\_
2. \_\_\_\_\_
3. \_\_\_\_\_
4. \_\_\_\_\_
5. \_\_\_\_\_
6. \_\_\_\_\_

**Font & Point Size:**

\_\_\_\_\_

## Keypad Bezel

**Color(s):**

1. Black (standard)
2. Gray (standard)
3. Other  
(custom)

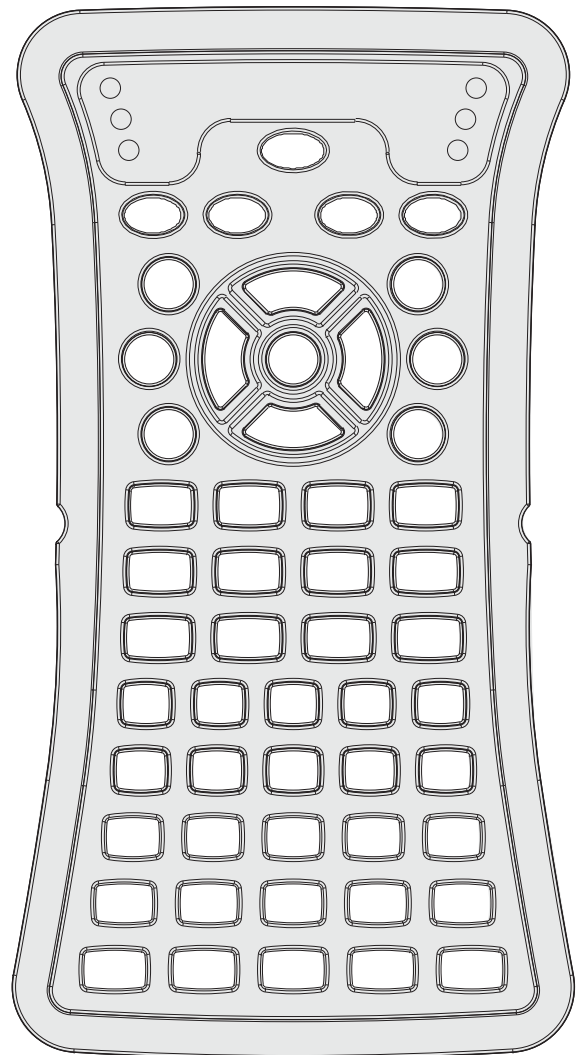
## Custom Bezel

**Pantone Color(s):**

1. \_\_\_\_\_
2. \_\_\_\_\_
3. \_\_\_\_\_
4. \_\_\_\_\_
5. \_\_\_\_\_
6. \_\_\_\_\_

**Font & Point Size:**

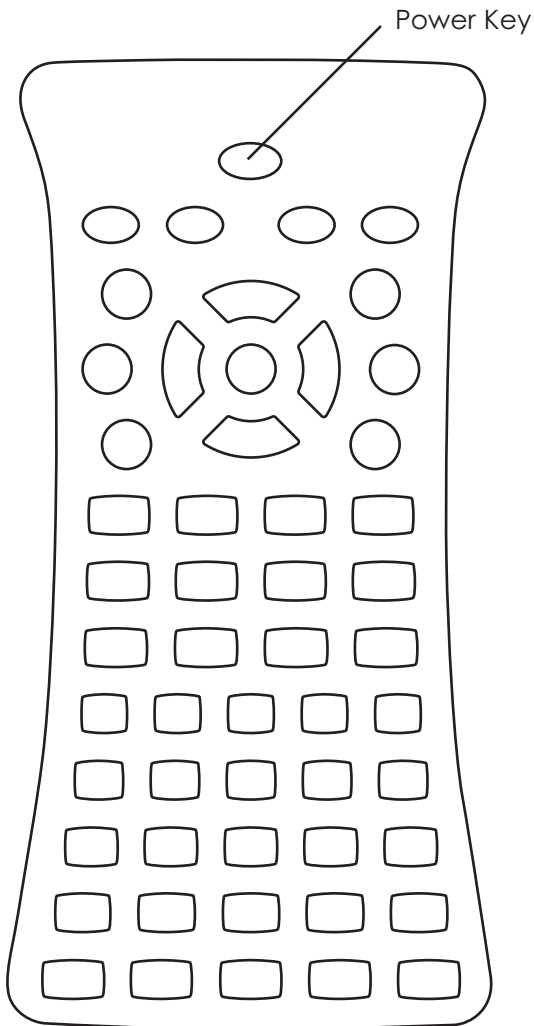
\_\_\_\_\_



# 52-Key Elastomeric Keypad & Bezel

Standard for:  
JETT•eye

Available for:  
JETT•ce  
JETT•RFID+  
JETT•XL



Scale 1:1

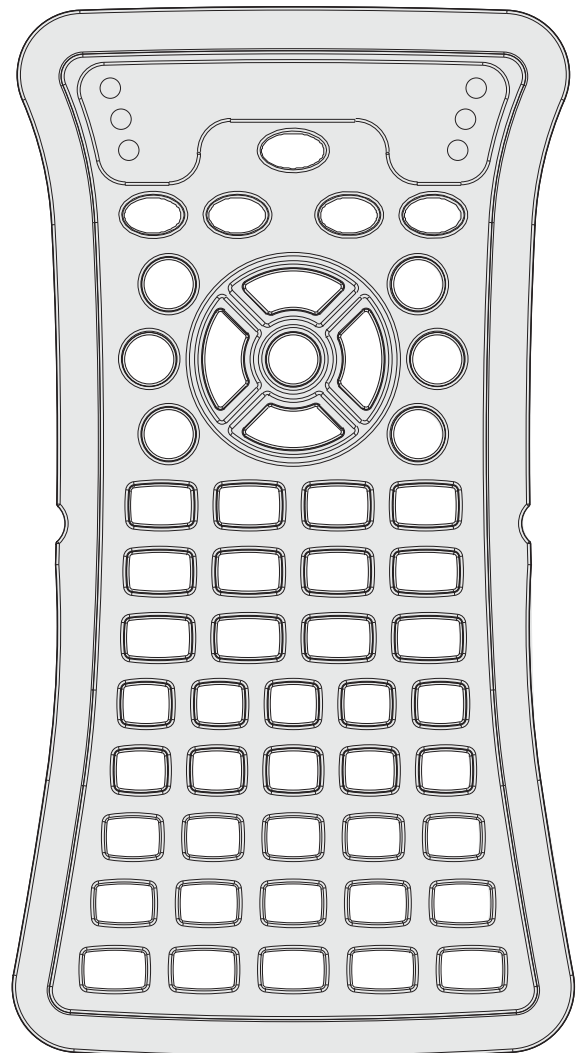
## Keypad

**Pantone Color(s):**

1. \_\_\_\_\_
2. \_\_\_\_\_
3. \_\_\_\_\_
4. \_\_\_\_\_
5. \_\_\_\_\_
6. \_\_\_\_\_

**Font & Point Size:**

\_\_\_\_\_



## Keypad Bezel

**Color(s):**

1. Black (standard)
2. Gray (standard)
3. Other  
(custom)

## Custom Bezel

**Pantone Color(s):**

1. \_\_\_\_\_
2. \_\_\_\_\_
3. \_\_\_\_\_
4. \_\_\_\_\_
5. \_\_\_\_\_
6. \_\_\_\_\_

**Font & Point Size:**

\_\_\_\_\_

# 45-Key Membrane Keypad Overlay

Available for:  
 JETT•ce  
 JETT•RFID+

**Pantone Color(s):**

- 1. \_\_\_\_\_
- 2. \_\_\_\_\_
- 3. \_\_\_\_\_
- 4. \_\_\_\_\_
- 5. \_\_\_\_\_
- 6. \_\_\_\_\_

**Font & Point Size:**

\_\_\_\_\_

LED COLOR 1: \_\_\_\_\_

LED COLOR 2: \_\_\_\_\_

**LED COLOR 3: \* standard**

LED COLOR 4: \_\_\_\_\_

LED COLOR 5: \_\_\_\_\_

LED COLOR 6: \_\_\_\_\_

LED LABEL 1: \_\_\_\_\_

LED LABEL 2: \_\_\_\_\_

LED LABEL 3: \_\_\_\_\_

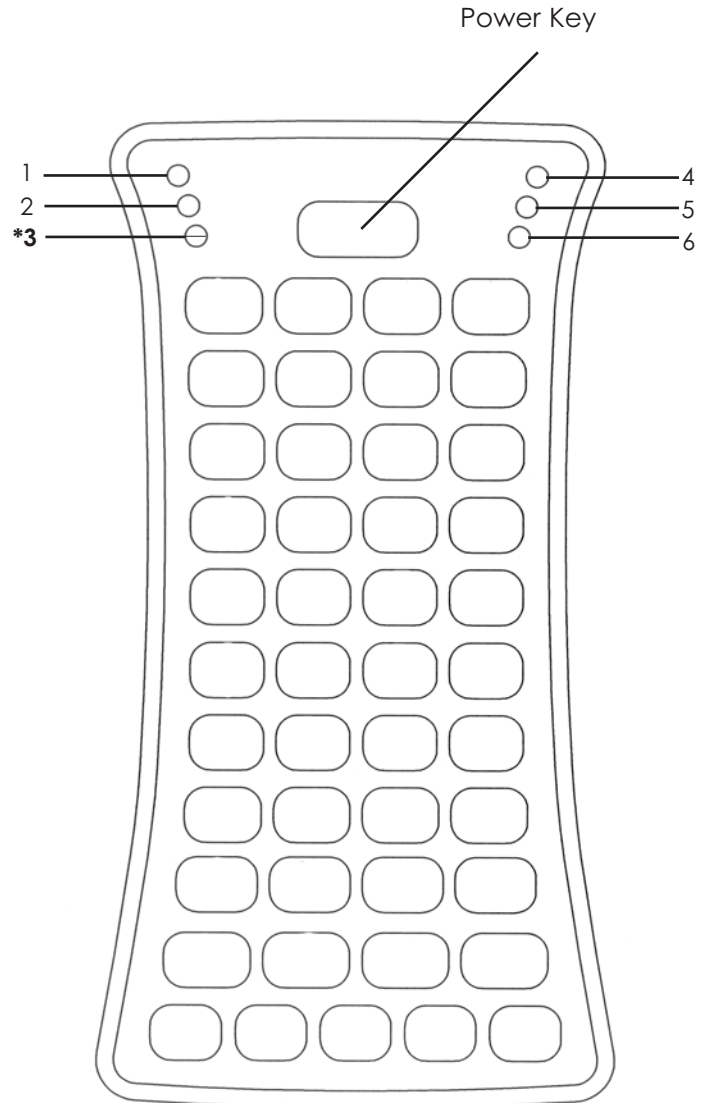
LED LABEL 4: \_\_\_\_\_

LED LABEL 5: \_\_\_\_\_

LED LABEL 6: \_\_\_\_\_

**Font & Point Size:**

\_\_\_\_\_



Scale 1:1

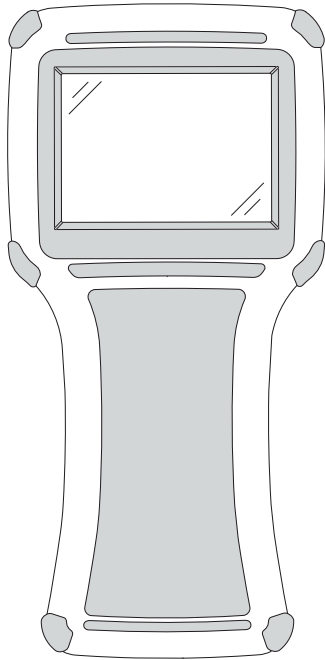
**NOTES:**

- Blue and Yellow (standard)
- Red and Green (custom option)
- Custom LED colors:  
Contact your sales rep.

\* Bi-color LED (green and red) is standard. This LED functions as a Low Battery/Charge indicator. Functionality cannot be changed however, labeling is customizable.

# Case and Bumper Color

Available for:  
 JETT•ce  
 JETT•RFID+  
 JETT•XL  
 JETT•eye



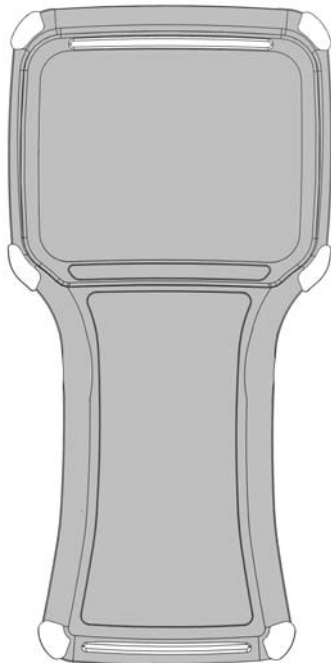
## Case Color:

1. Standard color \_\_\_\_\_
- 2.. Other \_\_\_\_\_ (custom)

## Standard colors are:

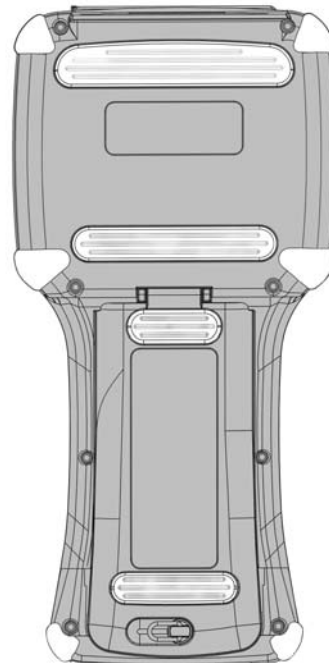
- JETT•ce- Black case with gray bumpers
- JETT•RFID+- Yellow case with black bumpers
- JETT•XL- Red case with black bumpers
- JETT•eye- Blue case with gold bumpers

Gray case with black bumpers, and Blue case with light blue bumpers also available. Please contact your sales representative for more information on standard and custom colors.



White areas  
 indicate space  
 to be customized.

Not drawn to scale



## Front Color(s):

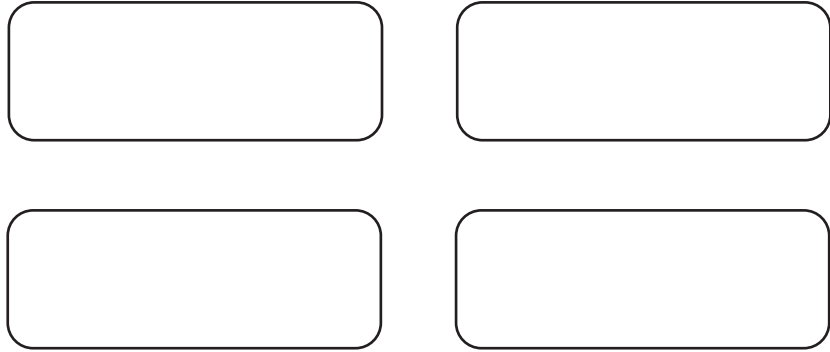
1. Standard color \_\_\_\_\_
2. Other \_\_\_\_\_ (custom)

## Back Color(s):

1. Standard color \_\_\_\_\_
2. Other \_\_\_\_\_ (custom)

# Serial Tag Layout

Available for:  
JETT•ce  
JETT•RFID+  
JETT•XL  
JETT•eye

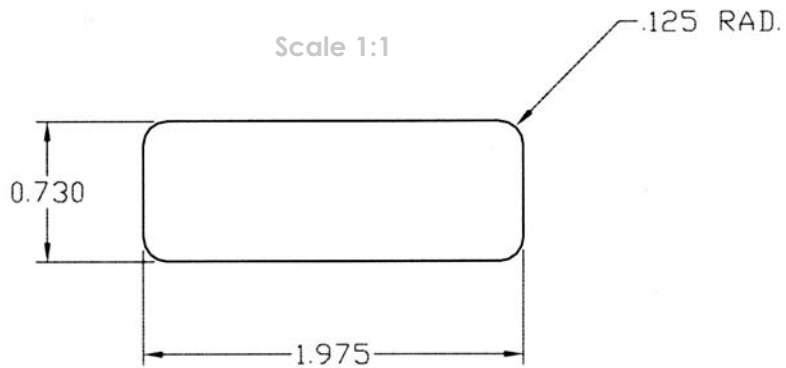


**Pantone Color(s):**

- 1. \_\_\_\_\_
- 2. \_\_\_\_\_
- 3. \_\_\_\_\_
- 4. \_\_\_\_\_
- 5. \_\_\_\_\_
- 6. \_\_\_\_\_

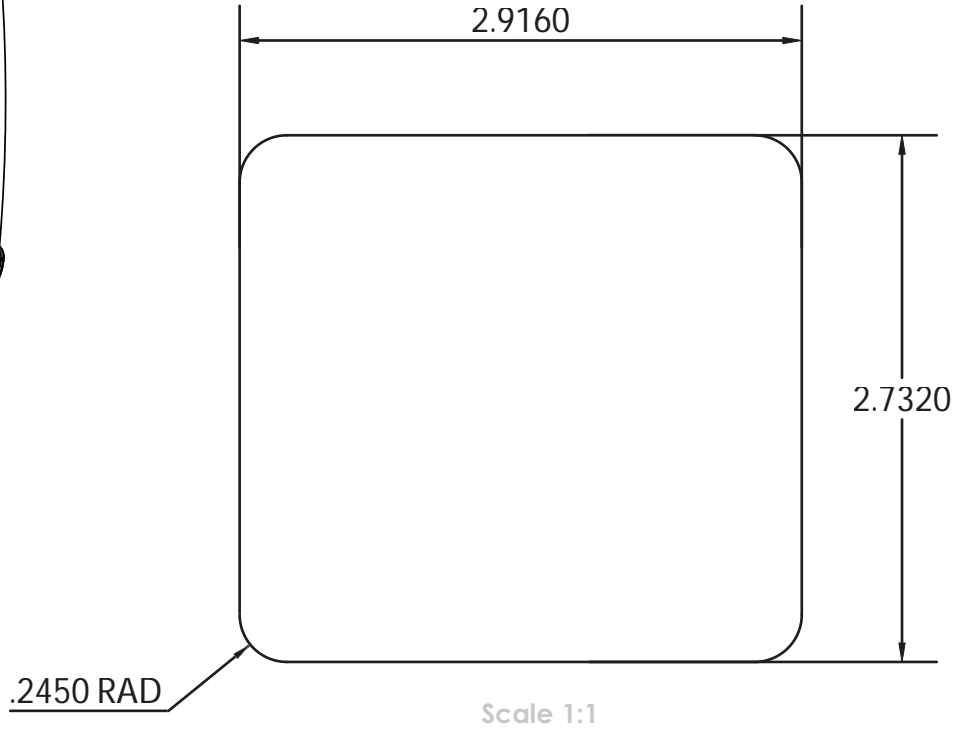
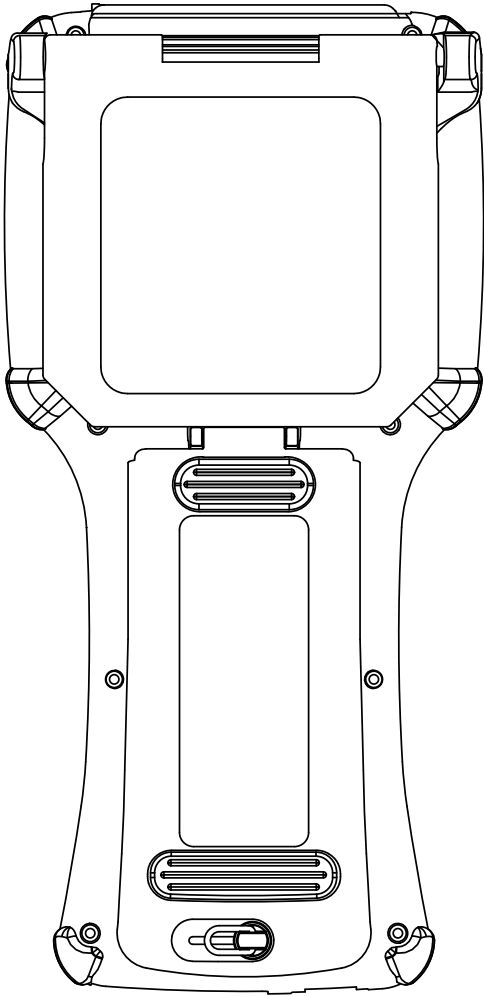
**Font & Point Size:**

\_\_\_\_\_



# RFID Label

Available for:  
JETT•RFID+

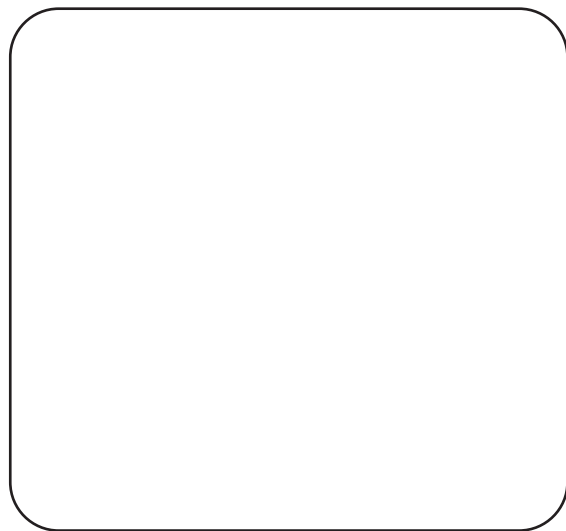


## Pantone Color(s):

1. \_\_\_\_\_
2. \_\_\_\_\_
3. \_\_\_\_\_
4. \_\_\_\_\_
5. \_\_\_\_\_
6. \_\_\_\_\_

## Font & Point Size:

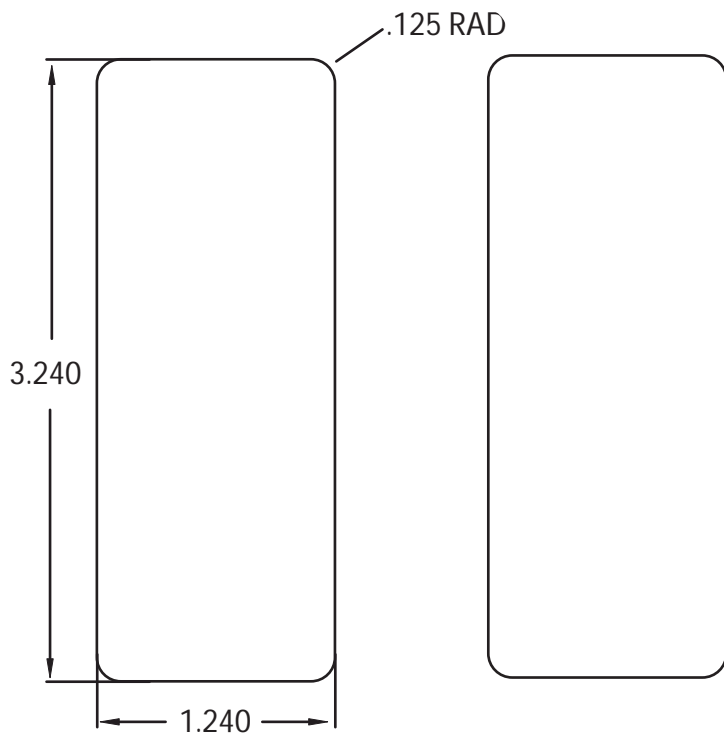
\_\_\_\_\_





# CE Label

Available for:  
JETT•ce  
JETT•RFID+  
JETT•XL  
JETT•eye



### Pantone Color(s):

1. \_\_\_\_\_
2. \_\_\_\_\_
3. \_\_\_\_\_
4. \_\_\_\_\_
5. \_\_\_\_\_
6. \_\_\_\_\_

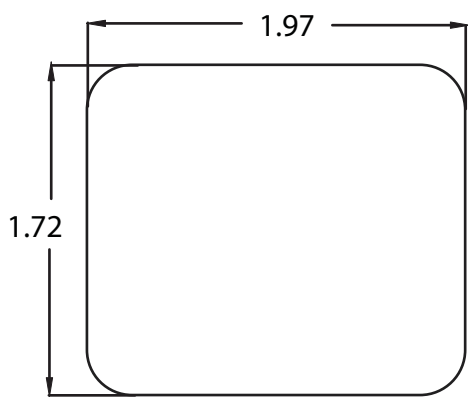
### Font & Point Size:

\_\_\_\_\_

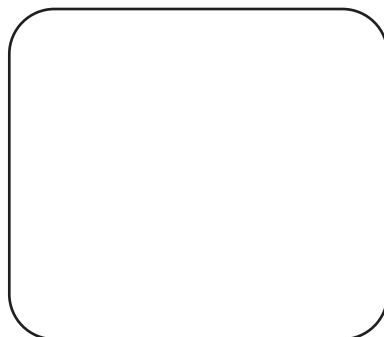
Scale 1:1

# JETT<sup>®</sup>•PACK Label

Available for:  
JETT•XL  
JETT•eye



(Label base color is black)



### Pantone Color(s):

1. \_\_\_\_\_
2. \_\_\_\_\_
3. \_\_\_\_\_
4. \_\_\_\_\_
5. \_\_\_\_\_
6. \_\_\_\_\_

### Font & Point Size:

\_\_\_\_\_

Scale 1:1