

FEATURES:

- 13.56MHz RFID Enabled
- IP65 ingress protection
- Microsoft® Windows® CE 5.0
- Marvell® XScale® PXA270 Technology Processor - 624MHz
- 320x240 QVGA-TFT color sunlight readable display with touch screen
- 9 hours typical operating time (actual time may vary based on a variety of conditions)
- CF Type 2 user accessible expansion slot
- One (1) Year Warranty (extended warranties available)
- Standard Stylus

MEMORY:

- 128MB SDRAM (Est. 30MB+ used for OS)
- 512 FLASH built-in (expandable to 8GB or higher optional)

CONNECTIVITY:

Wireless

- Personal Area Network
 - Bluetooth® Class 2 (internal)
- Local Area Network
 - 802.11b/g (internal)

Wired

- Mini USB v1.1 A/B (Full Speed)
 - Host and Client Detection on a single On The Go (OTG) Connector
- Asynchronous Serial Ports
 - RS-232, RS-422, RS-485 standards available
- Custom serial configurations available

JETT® RFID+

FUTURE PROOF & FIELD UPGRADEABLE: AN IDEAL SOLUTION TO MEET THE REQUIREMENTS OF RFID APPLICATIONS

Along with its powerful Microsoft® Windows® CE 5.0 operating system and Marvell® XScale® Technology processor, the JETT®•RFID+ features an HF 13.56MHz read/write module that fully supports most ISO 14443A, ISO 14443B and ISO 15693 tags from most major manufacturers.

This new mobile computer can read tag IDs, read and write data blocks, as well as authenticate and encrypt data to and from compatible tags. These new capabilities allow solutions to support secure storage of information on tags for privacy, security which is required in a number of markets including healthcare, access control and mobile commerce.

Two Technologies' unique adjustable antenna allows for reading of 13.56MHz tags in virtually any orientation. This innovation alleviates the issues with HF RFID tag orientation in many applications including the library, item level supply chain, and electronic access control (EAC) markets.

JETT®•RFID+ customization options include case color, protective bumpers, keypad, logo tag, serial tag, and cables making the JETT®•RFID+ a unique and seamless fit for a multitude of applications. This level of complete product customization is unprecedented in the hand held computer market.

The JETT®•RFID+ is an ideal solution to meet the complex and varied requirements of a wide range of applications where a rugged hand held computer is specified such as: warehousing, fleet management, mobile payment, transportation, field service, meter reading, time and attendance, emergency vehicles, machine control, and inventory control.

JETT®•RFID+ Tag Compatibility Chart

The JETT®•RFID+ reads and writes the following protocols:

- ISO 15693
- ISO 14443A
- ISO 14443B
- I-CODE® (Philips Electronics N.V)
- MIFARE
- my-d® (Infineon)
- Tag-it™ (Texas Instruments)

Other brands and protocols may be compatible. Please contact us for more information.



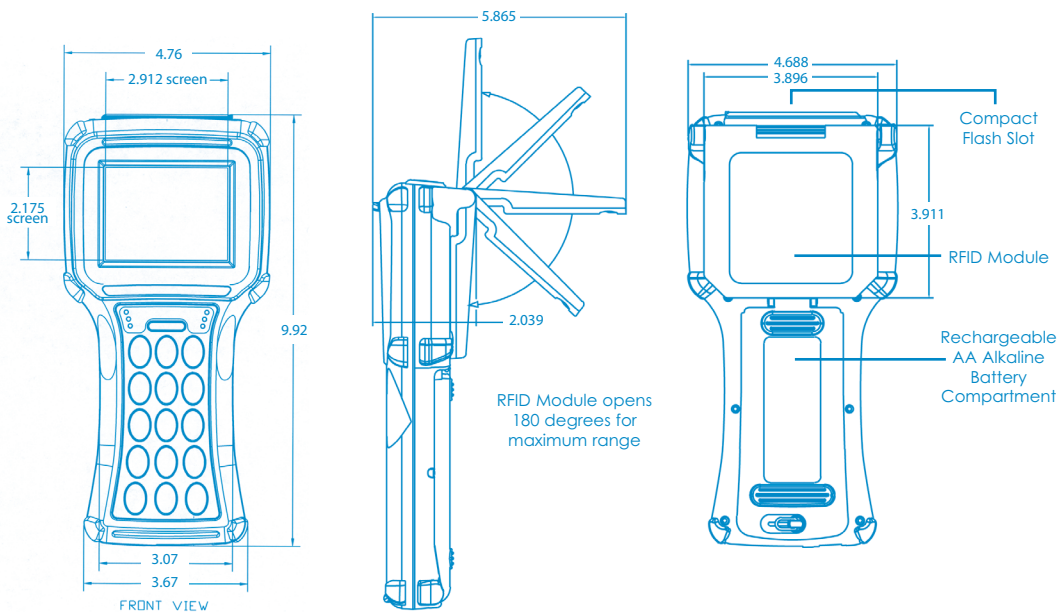
Two Technologies, Inc.® • 419 Sargon Way • Horsham, PA
Tel 215.441.5305 • Fax 215.441.0423 • real.rugged@2T.com

www.2T.com

15987 REV B 3.10.10

JETT[®] RFID+ Specifications

DISPLAY	<ul style="list-style-type: none"> • 320x240 pixel QVGA-TFT color (with white LED Backlight) • Touch screen
OPERATING SYSTEM	<ul style="list-style-type: none"> • Microsoft® Windows® CE .NET 5.0
PROCESSOR	<ul style="list-style-type: none"> • Marvell® XScale® Technology PXA270 Processor - 624MHz
MEMORY & MASS STORAGE	<ul style="list-style-type: none"> • 512MB FLASH built-in (expandable to 8GB or higher optional) • 128MB SDRAM Standard (30MB+ used for OS) • Type 2 Compact FLASH Card user accessible
INTERFACE	<ul style="list-style-type: none"> • One RS-232 Serial Port standard • USB (Host and Client) • Optional second serial port with a choice of RS-232, RS-422 or RS-485 • Internal Wireless LAN 802.11b/g (standard option) • Internal Bluetooth® (standard option)
POWER	<ul style="list-style-type: none"> • Nickel Metal Hydride Extended Capacity Rechargeable batteries 2500 mAh, 7.2V • Recharge/Line Power: 11 to 18 VDC, 1.5A • 9 hours typical operating time (actual time may vary based on a variety of conditions)
ENVIRONMENT	<ul style="list-style-type: none"> • Storage temperature: -20° to +70°C* (no batteries installed) • Operating temperature: -20° to + 50°C • Charging temperature: -0° to + 40°C** • Humidity: 5-95% (non-condensing) * Temp greater than +55°C dramatically reduces shelf life of battery. ** Fast charge will not start below 0°C.
KEYPAD, SWITCHES & INDICATORS	<ul style="list-style-type: none"> • Standard or custom graphics available • Standard or custom layouts: 45-key membrane (10 rows x 4 columns plus 1 x 5 bottom row), 45-key elastomeric, 30-key elastomeric (10 x 3), 15-key elastomeric (5x3) • Custom layouts available • Feedback: Tactile and audible • Power/resume switch: 5 programmable LED indicators (2nd, Alt, Caps Lock, Shift, Ctrl), one fixed LED for low battery/charge status (battery unit only) • Optional backlit keypad • 8 definable "hot keys" can be used to execute or automate programs.
STYLUS HOLDER	<ul style="list-style-type: none"> • Standard Stylus Holder
CERTIFICATIONS	<ul style="list-style-type: none"> • IP65 Ingress Protection (Independent Lab Tested) • FCC Class A • EN55022, 1998. (CISPR 22) Class A, EN55022/IEC 6100-4-6 RF CONTINUOUS CONDUCTED • EN55024, 1998 - ETSI EN 301489-1,2002 - ETSI EN 301489-3,2002 - EN/IEC 61000-4-2 ESD - EN/IEC 61000-4-3 RF ELECTROMAGNETIC FIELD - EN/IEC 61000-4-4 FAST TRANSIENTS • RoHS Compliant
DEVELOPMENT TOOLS	<ul style="list-style-type: none"> • Development Environments: • Visual Studio® 2005 (Visual C#®, VisualC++®, Visual Basic®, Supports .NET CF 2.0) • Visual Studio® .NET 2003 (Visual Basic®.NET, C#®.NET) • embedded C++® 4.0 • 2T Developer's Library: 2T JETT Development Kits, 2T JETT SDK utilities for device specific features and functions
ENHANCED SOFTWARE OPTIONS	<ul style="list-style-type: none"> • Mobile Remote Device Management • Terminal Emulation
WARRANTY	<ul style="list-style-type: none"> • 1 Year Warranty (extended warranties available)
OPTIONAL JETT • PACK PERIPHERALS	<ul style="list-style-type: none"> • JETT® • WAVE Radio • GPS/GPRS GSM • Laser Scanner • Mag Stripe Reader (future offering) • Back up memory (USB Flash Drive) • Custom to Your Specification with PACK Your Way



- HEIGHT:** 9.84 inches (250.0 mm)
- WIDTH (Display area):** 4.75 inches (120.7 mm)
- WIDTH (Keypad area):** 3.07 inches (78.0 mm)
- RFID MODULE:** 3.89 x 3.92 inches (90.81 mm x 99.57 mm)
- DEPTH (Closed position):** 2.37 inches (60.2 mm)
- DISPLAY SIZE (Active area):** 2.82 x 2.11 inches (71.63 mm x 53.60 mm)
- WEIGHT W/RECHARGEABLE BATTERY:** 33 ounces (935.5 grams)
- WEIGHT W/ALKALINE BATTERY:** 32 ounces (907.2 grams)
- WEIGHT W/O BATTERY:** 27 ounces (765.4 grams)