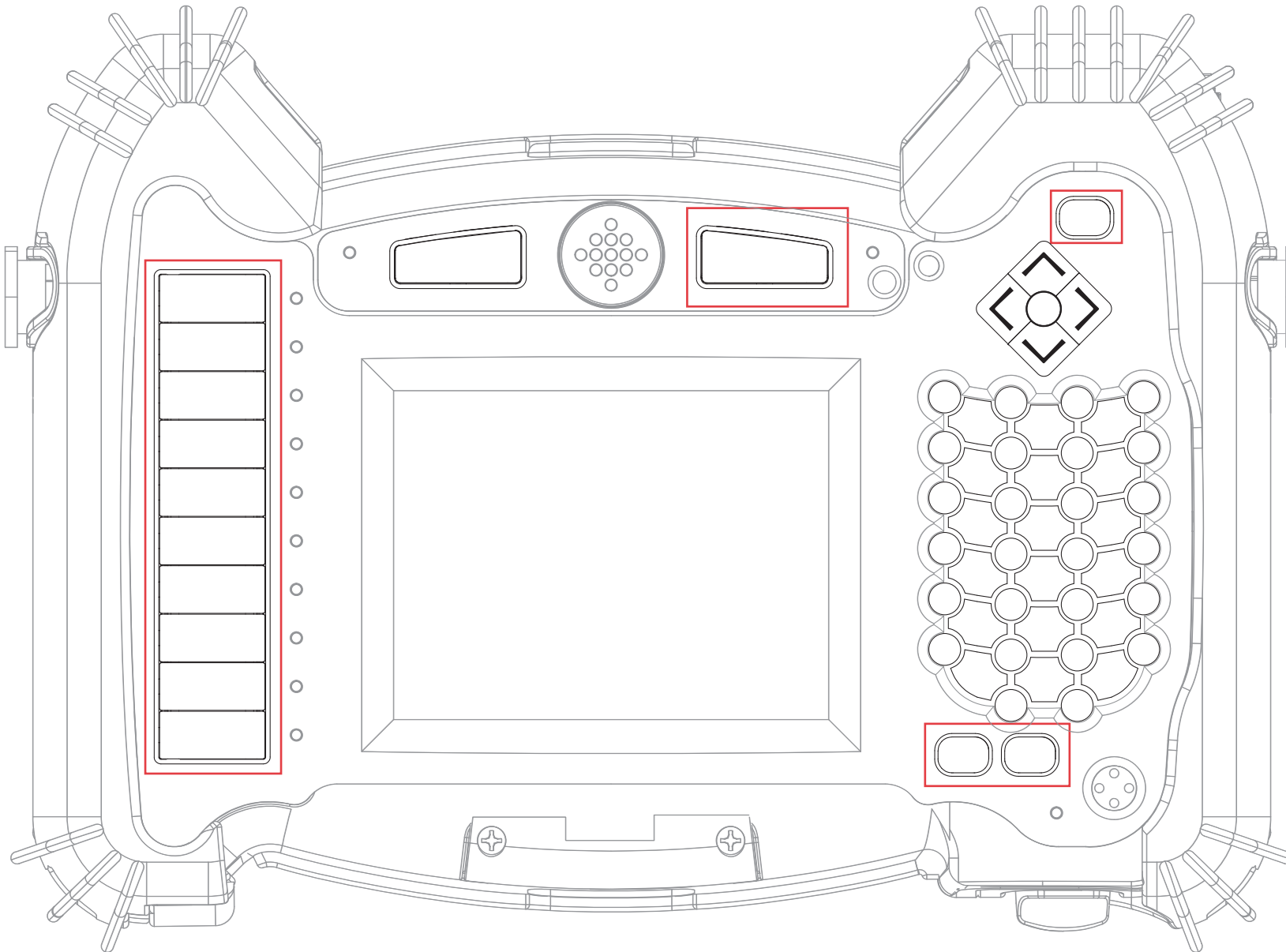


HANDGEAR® Customization Workbook

- Customizable keys indicated in red
- Keys will be laser etched in black in the standard printer font
- Contact 2T for logo placement
- Specify case Pantone (PMS) color _____
(contact sales for help with PMS matching)

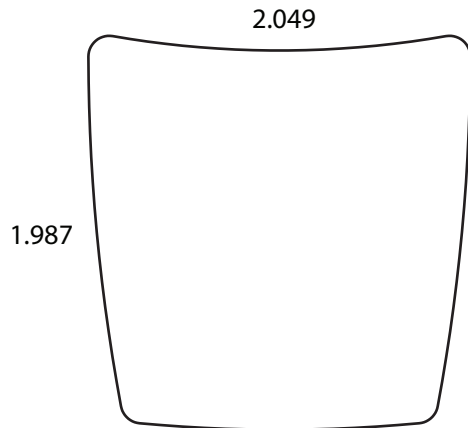


Please fill in as much information as possible and fax to 215.441.0423. Please contact your sales representative at 215.441.5305 for more information on customization.

Customization Workbook for HANDGEAR®



(Base label color is black)



Specify graphics on **HG PACK Label**
(not available when printer is selected)

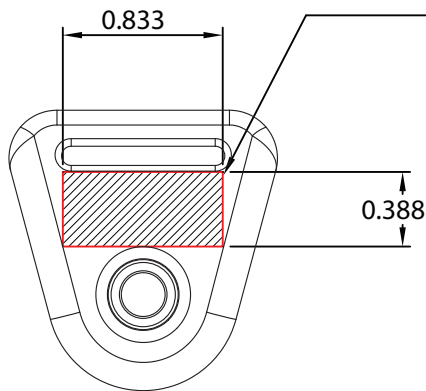
PACK Pantone Colors

1. _____
2. _____
3. _____
4. _____
5. _____

Font and Point size
(or provide graphics)

1. _____
2. _____
3. _____
4. _____
5. _____

Graphics to be supplied in vector format (EPS, AI)



Specify graphics on **HG Strap Adapter** within red box

PACK Pantone Colors

1. _____
2. _____
3. _____
4. _____
5. _____

Font and Point size
(or provide graphics)

1. _____
2. _____
3. _____
4. _____
5. _____

Logo embroidery on strap is available. Please contact your sales representative for more information on placement. 215.44.5305

Customization Workbook for HANDGEAR®

Specify graphics on **HG DOCK**
(in red area only)

Pantone Colors

1. _____
2. _____
3. _____
4. _____
5. _____

Font and Point size
(or provide graphics)

1. _____
2. _____
3. _____
4. _____
5. _____

Graphics to be supplied in vector format (EPS, AI)

